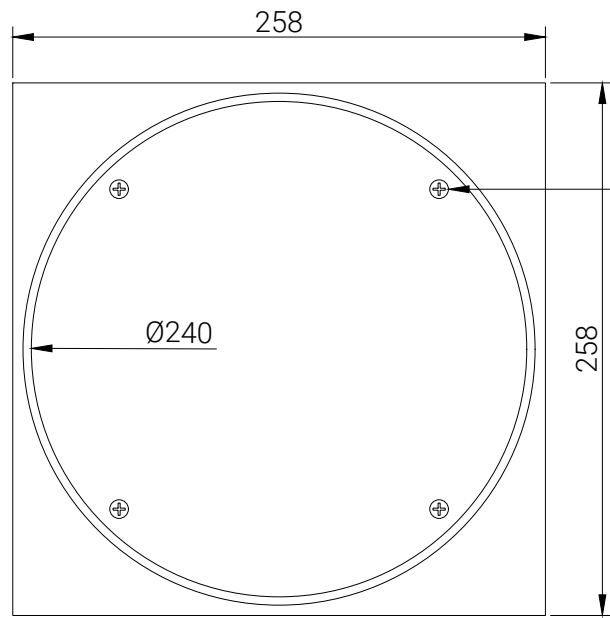
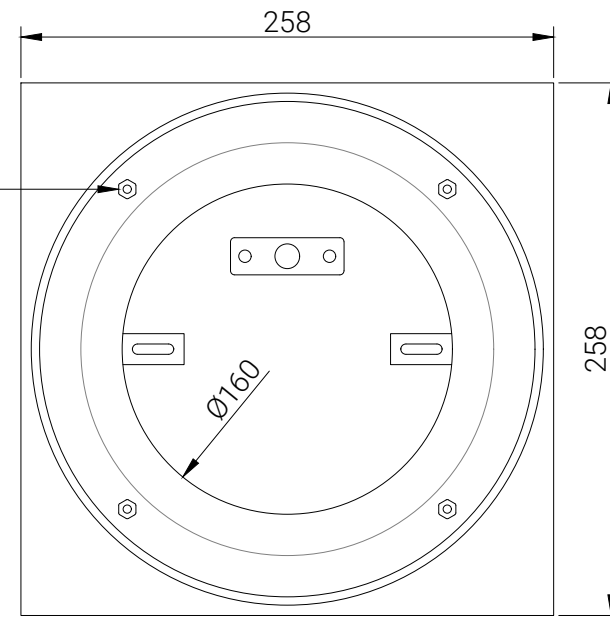


SHIP CABIN DIFFUSER

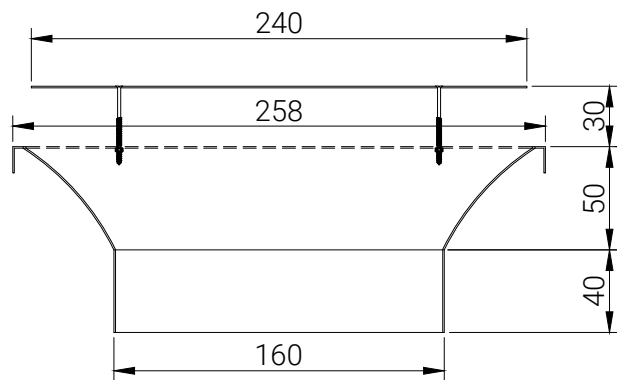
Submittal Drawing



TOP PLAN VIEW



BOTTOM PLAN VIEW



SIDE VIEW

Adjustable Screw (4 Nos)

- Materials: Galvanized
- Thickness: 1.2mm
- Opening Dia: 250mm
- Finish: RAL 9016

ALL DIMENSIONS ARE IN MM UNLESS SPECIFY